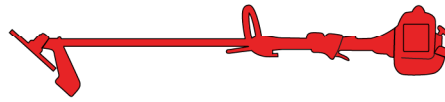
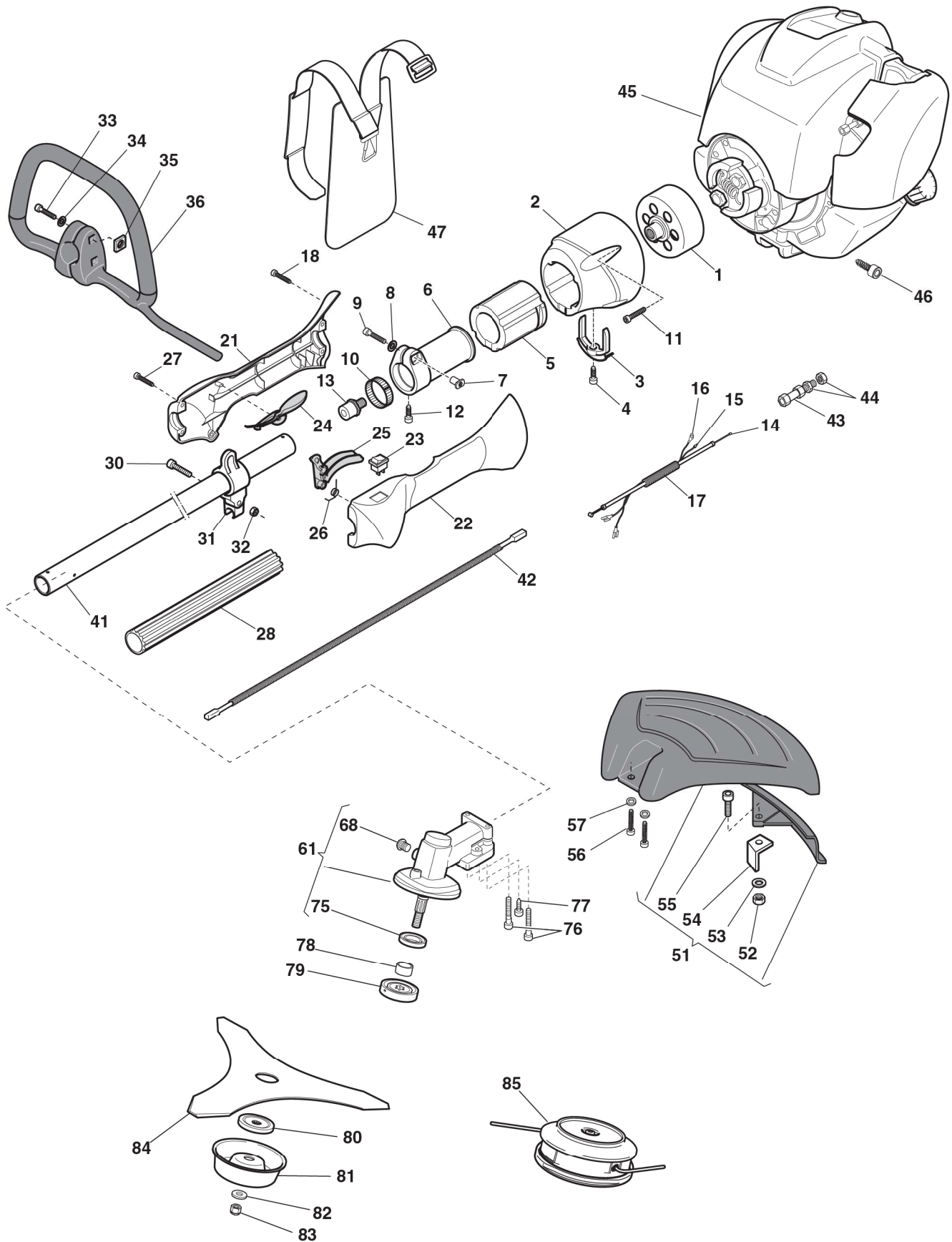


# STAR 28 H

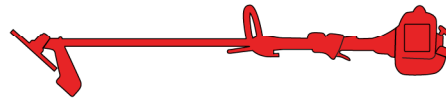


2009  
DC4T2.0  
1 / 4

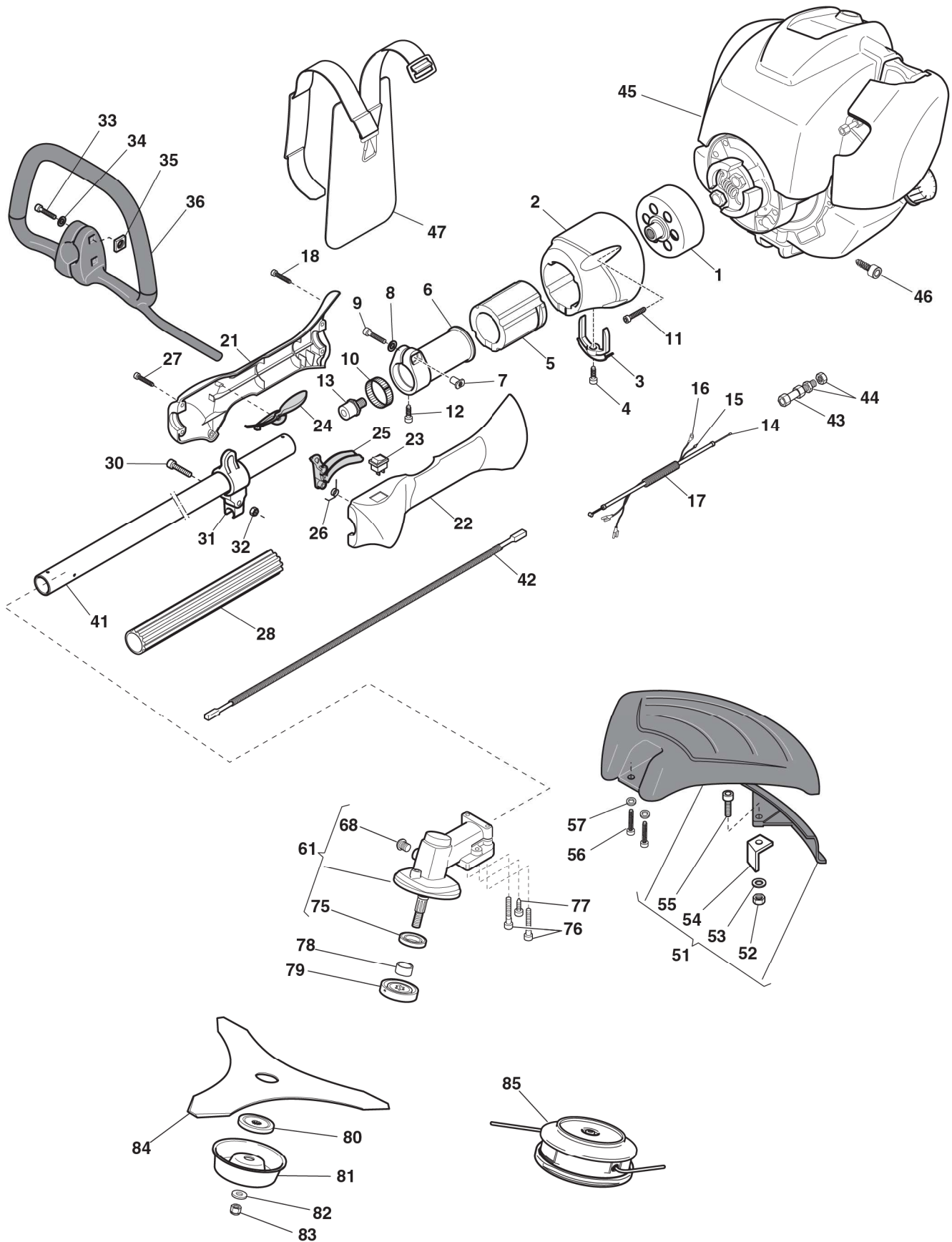


POS.	CODE	Q.TY	DESCRIZIONE	DESCRIPTION	DESCRIPTION	BESCHREIBUNG	REMARKS
1	83050004/0	1	ASS. CAMPANA FRIZIONE	DRUM ASS'Y, CLUTCH	CLOCHE EMBRAYAGE	SET KUPPLUNGSGLOCKE	
2	23782005/0	1	ASS.SUPPORTO TRASM.	SUPPORT TRASM.ASSY	ENS.SUPPORT TRANSM.	GETRIEBEPLATTFORM	
3	23232001/0	1	FORCELLA	FORK	FOURCHE	GABEL	
4	2123100	1	VITE	SCREW	VIS	SCHRAUBE	
5	23275000/0	1	GOMMINO	GROMMET	CAOUTCHOUC	GUMMI	
6	23782003/0	1	SUPPORTO	SUPPORT	SUPPORT	HALTER	
7	3643470	1	BOCCOLA	BUSHING	DOUILLE	BÜCHSE	
8	2312020	1	ROSETTA	WASHER	RONDELLE	SCHEIBE	
9	2135040	1	VITE	SCREW	VIS	SCHRAUBE	
10	3180560	1	RIDUZIONE	REDUCTION	RÉDUCTION	REDUZIERSTÜCK	
11	2135150	4	VITE	SCREW	VIS	SCHRAUBE	
12	2123100	1	VITE	SCREW	VIS	SCHRAUBE	
13	23445258/0	1	MOZZO CUSCINETTO	BEARING HUB	MOYEU ROULEMENT	LAGERNABE	
14	23066000/0	1	CAVO ACCELERATORE	WIRE ASS.Y	CÂBLE ACCÉLÉR.	STARTERKABEL	
15	23065000/0	1	CAVO BOBINA-INTER- RUTTORE	COIL-SWITCH CABLE	CÂBLE BOBINE-INTER- RUPT.	SPULENDRAHT-SCHAL- TER	
16	23065004/0	1	CAVO MASSA	EARTH CABLE	CÂBLE MASSE	ERDUNGSKABEL	
17	23290000/0	1	GUAINA CAVI	WIRE SHEATH	GAINÉ CÂBLES	KABELMANTEL	
18	2123100	1	VITE	SCREW	VIS	SCHRAUBE	
21	23700002/0	1	IMPUGNATURA DESTRA	RIGHT HANDGRIP	BRANCHE DRO.	RECHTE GRIFF	
22	23700003/0	1	IMPUGNATURA SINISTRA	LEFT HANDGRIP	BRANCHE GAU.	LINKE GRIFF	
23	3210970	1	INTERRUTTORE STOP	STOP SWITCH	INTERRUPTEUR D'ARRÊT	STOP-SCHALTER	
24	23315055/0	1	LEVA DI SICUREZZA	SAFETY LEVER	LEVIER DE SÉCURITÉ	SICHERHEITSHABEL	
25	23315054/0	1	LEVA ACCELERATORE	THROTTLE LEVER	LEVIER ACCÉLÉRATEUR	GASHEBEL	
26	23430551/1	1	MOLLA LEVA ACCELE- RATORE	SPRING	RESSORT	FEDER GASHEBEL	
27	2123030	4	VITE	SCREW	VIS	SCHRAUBE	
28	23170000/0	1	DISTANZIALE	SPACER	ENTRETOISE	THERMOISOLIERUNG	
30	2135040	1	VITE	SCREW	VIS	SCHRAUBE	
31	23780000/0	1	SUPPORTO BRETTELE	HARNESS SUPPORT	SUPPORT HARNAIS	GURTZEUGHALTER	
32	2412030	1	DADO	NUT	ECROU	MUTTER	
33	2135050	2	VITE	SCREW	VIS	SCHRAUBE	
34	2312090	2	ROSETTA	WASHER	RONDELLE	SCHEIBE	
35	2461030	2	DADO	NUT	ECROU	MUTTER	
36	23300001/0	1	IMPUGNATURA ANTE- RIORE	FRONT HANDLE	POIGNÉE AVANT	HANDGRIFF VORNE	
41	4252880	1	ASS. TUBO TRASMISS.	TRANSMISSION PIPE ASS.Y	ENS.TUBE TRANSM.	SET ROHR PULSE	
42	4630101	1	ASS. ALBERO TRASMISS- SIONE	TRANSMISSION SHAFT ASS.Y	ENS.ARBRE TRANSM.	SET ANTRIEBSWELLE	
43	3630600/1	1	REGISTRO CAVO ACCLE- RATORE	THROTTLE CABLE ADJU- STER	REGISTRE	REGLER	
44	2412090	2	DADO	NUT	ECROU	MUTTER	
45	*	1	MOTORE	ENGINE	MOTEUR	MOTOR	HONDA GX 25
46	2135020	1	VITE	SCREW	VIS	SCHRAUBE	
47	4253460	1	BRETTELLA	HARNESS	HARNAIS	GURTZEUG	
51	3L8563570/1	1	ASS. PARASPRUZZI	SAFETY COVER ASS.Y	ENS. CAPOT ANTI- PROJECTIONS	SET SPRITZSCHUTZ	
52	2432040	1	DADO	NUT	ECROU	MUTTER	
53	2312150	1	ROSETTA	WASHER	RONDELLE	SCHEIBE	
54	3615000	1	LAMIERINO TAGLIAFILO	LINE CUTTER	COUPE-FIL	DRAHTSCHERENBLECH	
55	2135030	1	VITE	SCREW	VIS	SCHRAUBE	
56	2135060	2	VITE	SCREW	VIS	SCHRAUBE	
57	2312150	2	ROSETTA	WASHER	RONDELLE	SCHEIBE	

# STAR 28 H



2009  
DC4T2.0  
3 / 4



POS.	CODE	Q.TY	DESCRIZIONE	DESCRIPTION	DESCRIPTION	BESCHREIBUNG	REMARKS
61	83820500/1	1	ASS.TESTINA INGRANAGGI	GEAR CASE ASSY	ENS.BOÎTE ENGREN.	SET ZAHNRADGETRIEBE	
68	2653460	1	VITE	SCREW	VIS	SCHRAUBE	
75	3121180	1	ANELLO DI TENUTA	OIL SEAL	ANNEAU D'ÉTANCHÉITÉ	DICHTRING	
76	2135050	2	VITE	SCREW	VIS	SCHRAUBE	
77	2653090	1	VITE	SCREW	VIS	SCHRAUBE	
78	3660680	1	COLLARE	COLLAR	COLLIER	STELLRING	
79	3641650	1	GHIERA SUPERIORE	UPPER RING NUT	BAGUE SUPÉRIEURE	OBERER RINGBOLZEN	
80	3612650	1	GHIERA INFERIORE	LOWER RING NUT	BAGUE INFÉRIEURE	UNTERER RINGBOLZEN	
81	3615300	1	COPPA FISSA	STABILIZER	STABILISATEUR	STABILISATOR	
82	2321060	1	ROSETTA	WASHER	RONDELLE	SCHEIBE	
83	2452090	1	DADO	NUT	ECROU	MUTTER	
84	6031172	1	DISCO 3 PUNTE 25 CM	3 TEETH DISC 25 CM	LAME À 3 DENTS 25 CM	SCHEIBE / 3 ZÄHNE 25 CM	
85	23155000/0	1	TESTINA 2 FILI TAP & GO	2 HEDGES NYLON HEAD	TÊTE À 2 FILS NYLON	2 DRAHTSCHEIBE	